

4

3

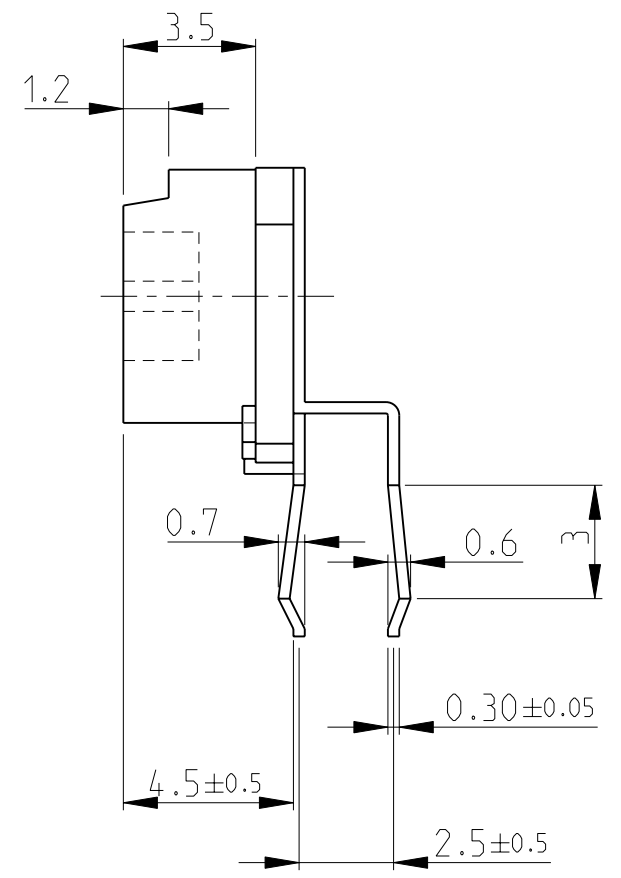
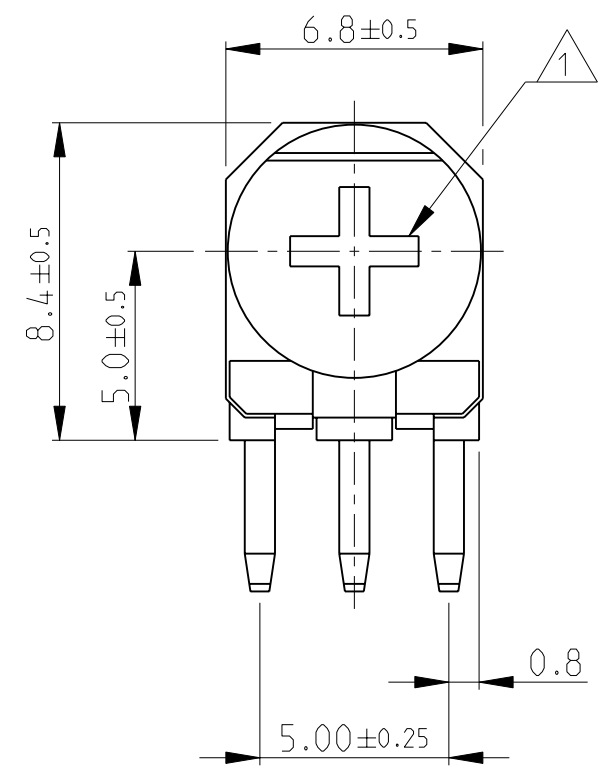
2

1

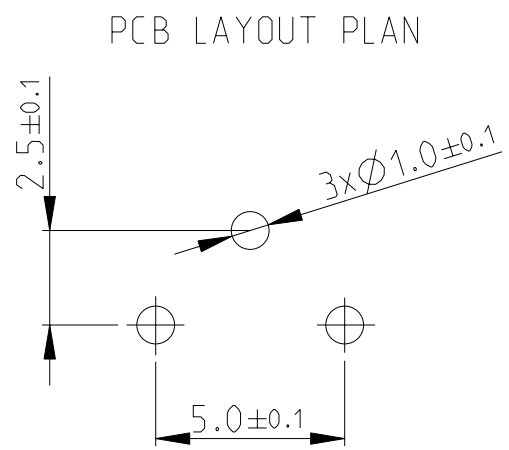
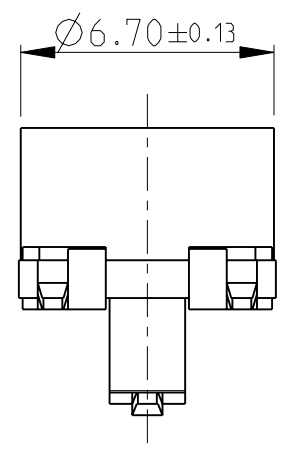
THIS DRAWING IS UNPUBLISHED. RELEASED FOR PUBLICATION 2008

© COPYRIGHT 2008 BY TYCO ELECTRONICS CORPORATION. ALL RIGHTS RESERVED.

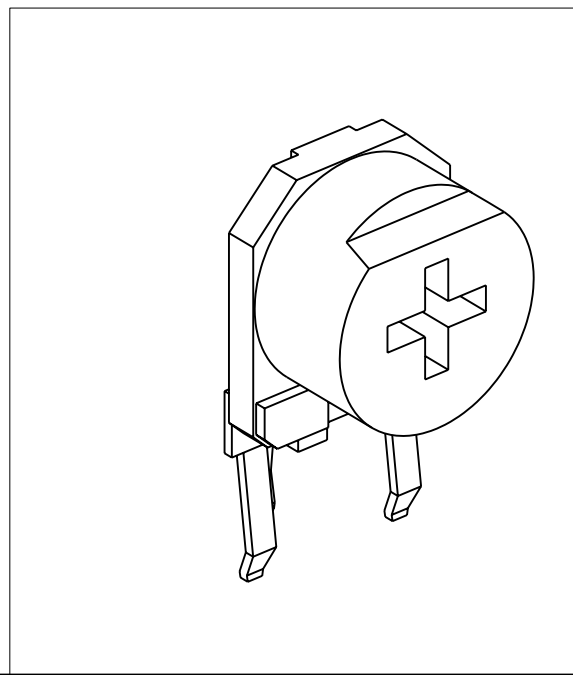
LOC	DIST	REVISIONS					
E	B	P	LTR	DESCRIPTION	DATE	DWN	APVD
		BA		NEW RELEASE	27-NOV-08	SM	St.P



1 ADJUSTMENT HEAD: CROSS SLOT- 0.8x3.4, Depth-2
 2 FOR FURTHER INFORMATION SEE DATA SHEET FOR 416 SERIES-ECONOMY TRIMMERS



RoHS Compliant



THIS DRAWING IS A CONTROLLED DOCUMENT FOR TYCO ELECTRONICS CORPORATION IT IS SUBJECT TO CHANGE AND THE CONTROLLING ENGINEERING ORGANIZATION SHOULD BE CONTACTED FOR THE LATEST REVISION.		DWN SUBHASH.M 27-NOV-08	Tyco Electronics Corporation Dorcan, Swindon, SN3 5HH	
DIMENSIONS: mm		CHK PRAKASH.S 27-NOV-08	NAME ECONOMY TRIMMERS SERIES 416X	
TOLERANCES UNLESS OTHERWISE SPECIFIED:		APVD STEPHEN.P 27-NOV-08		
0 PLC ±0.2		PRODUCT SPEC -	SIZE A3	CAGE CODE 00779
1 PLC ±0.1		APPLICATION SPEC -	DRAWING NO C-1623895	RESTRICTED TO -
2 PLC ±-		WEIGHT -	SCALE 5:1 SHEET 1 OF 1 REV BA	
3 PLC ±-		CUSTOMER DRAWING		
4 PLC ±-				
ANGLES ±5°				
FINISH -				